

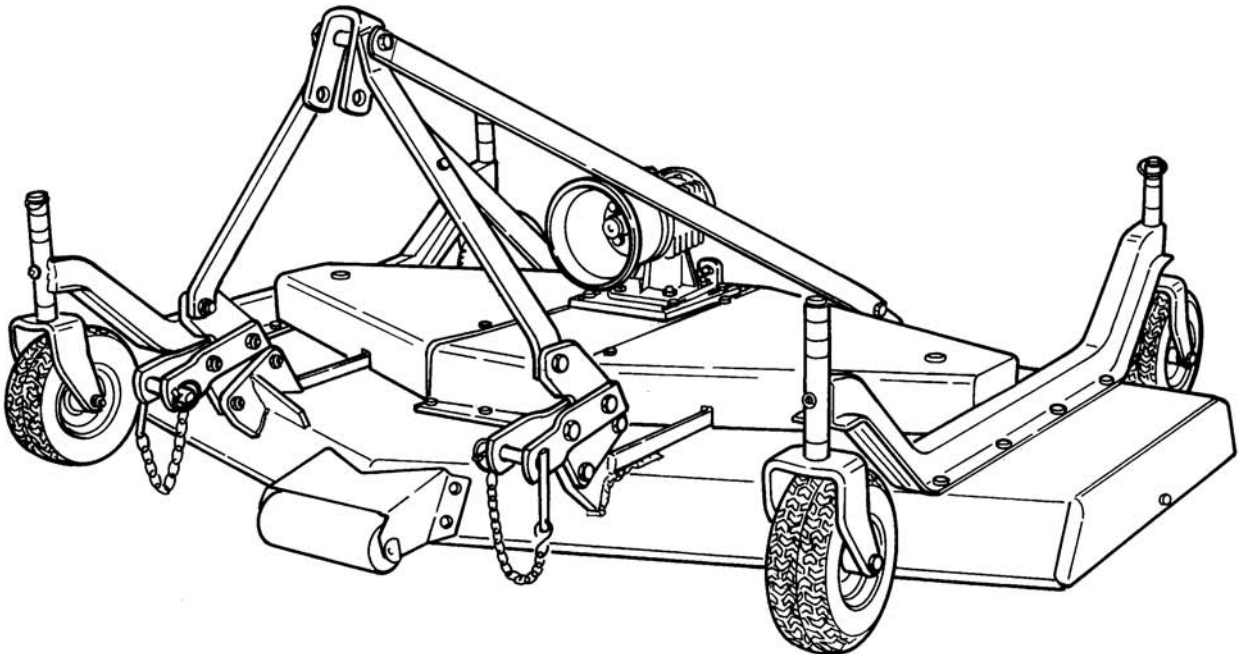
BEFCO®

Parts Manual

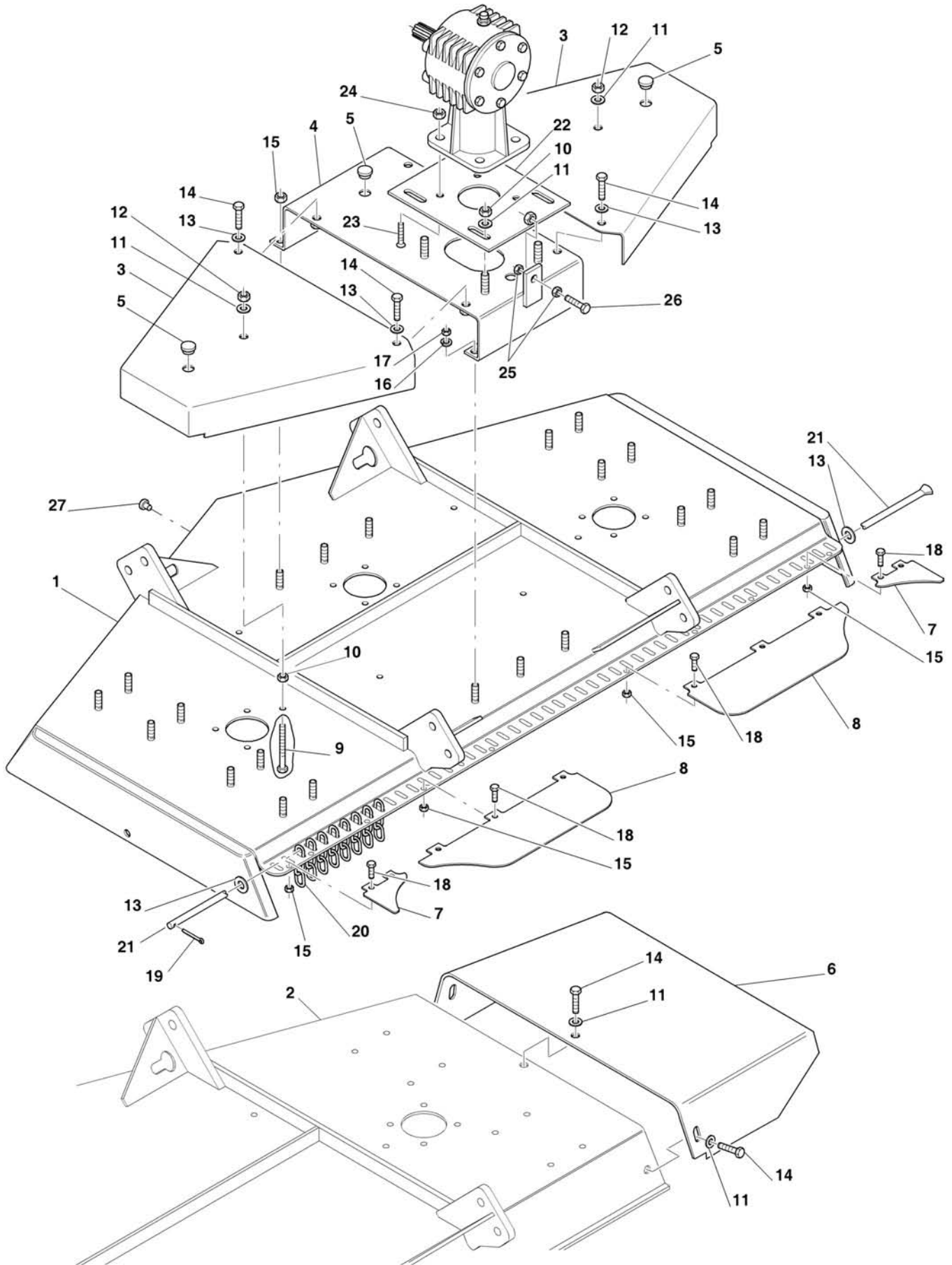
CYCLONE

Three Spindle Grooming Mower

C50-RD4, C50-RD5, C50-RD6, C50-RD7

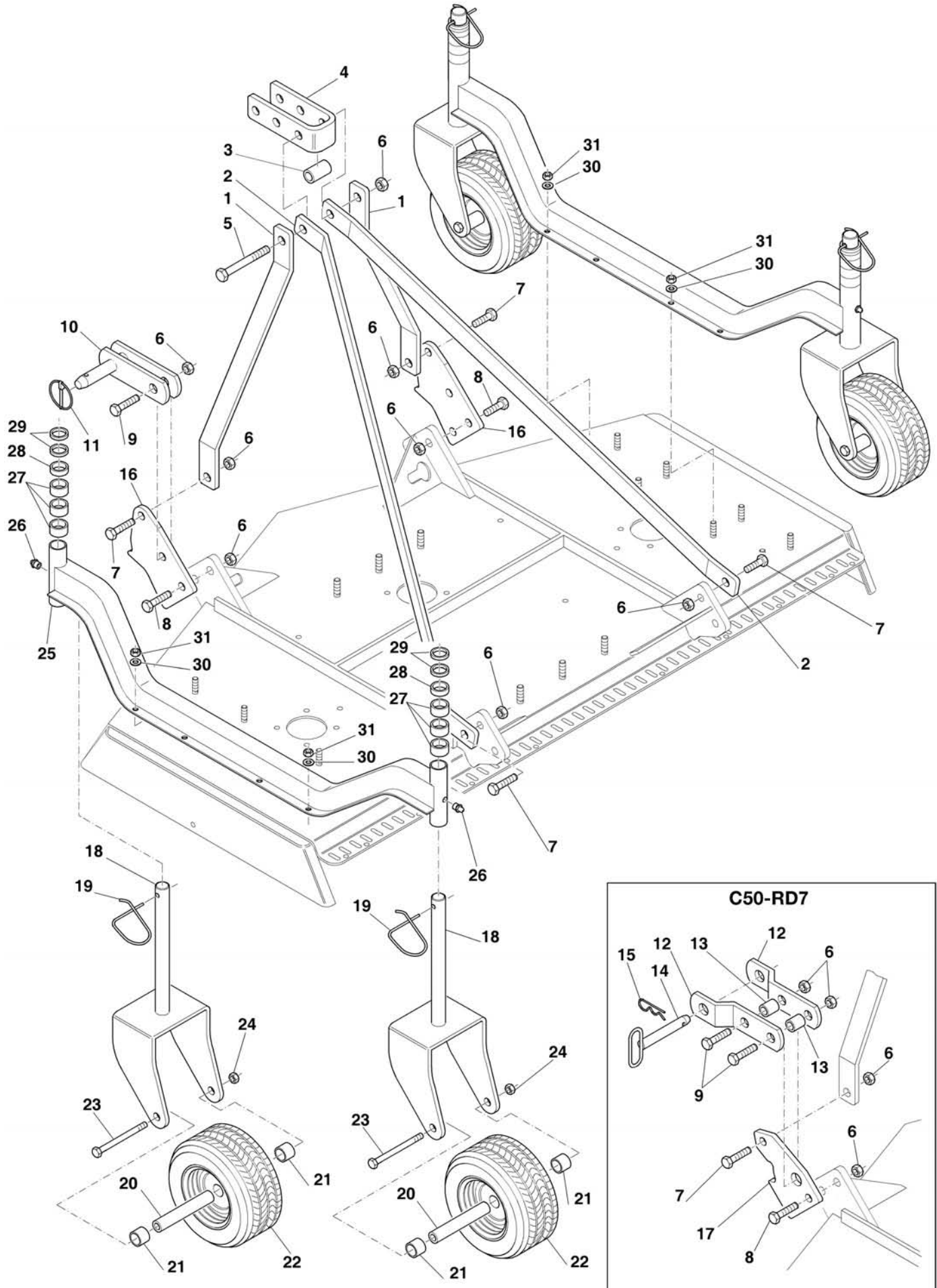


**Manual 972-174B
August 2018**



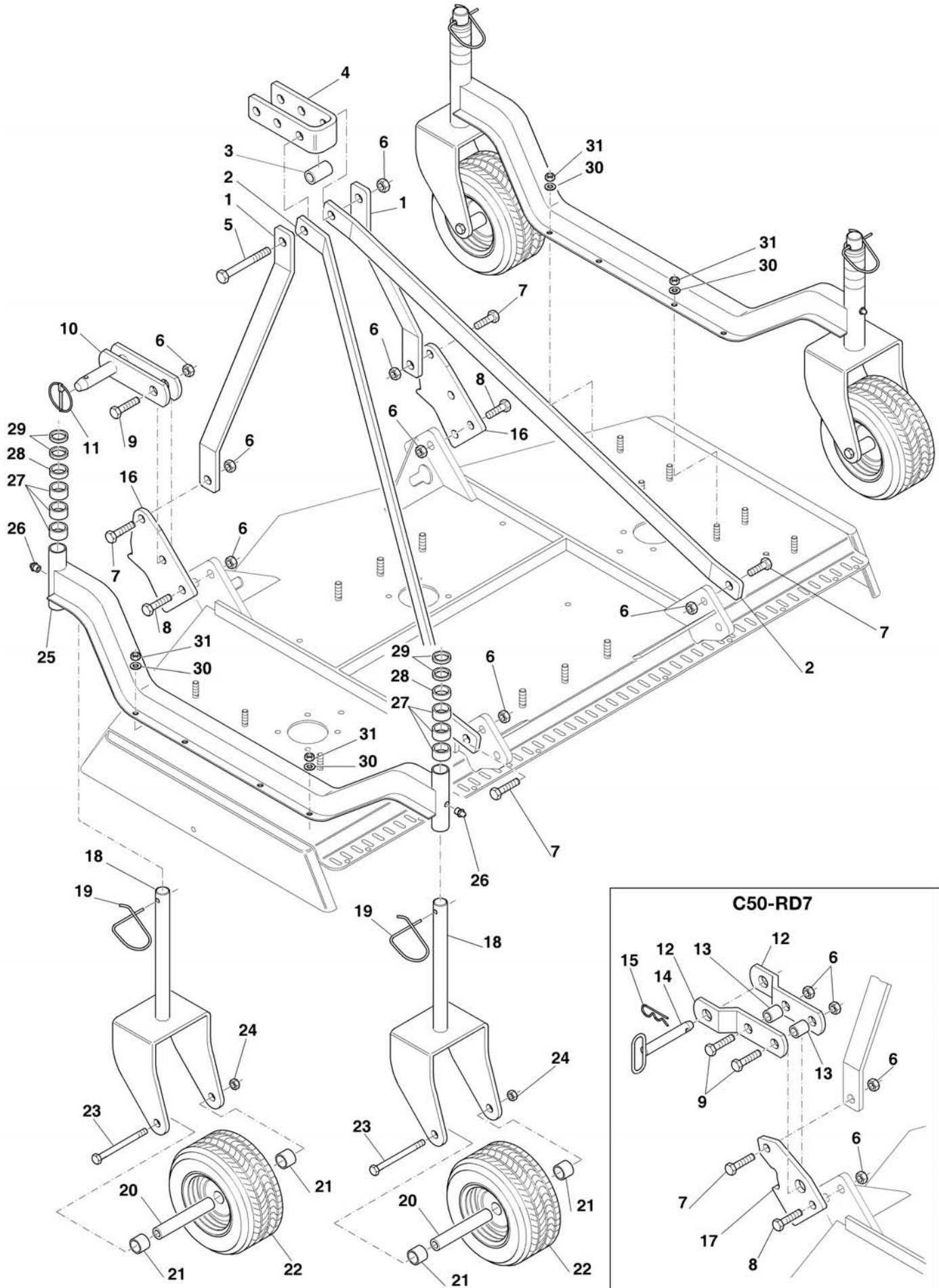
C50-RD4, SD4; C50-RD5, SD5; C50-RD6, SD6; C50-RD7

Ref.	Part #	Description	Qty.
1	010-6903	Frame 4' rear discharge; C50-RD4	1
	020-6903	Frame 5' rear discharge; C50-RD5	1
	030-6900	Frame 6' rear discharge; C50-RD6	1
	040-6900	Frame 7' rear discharge; C50-RD7	1
2	010-6907	Frame 4' side discharge; C50-SD4	1
	020-6907	Frame 5' side discharge; C50-SD5	1
	030-6910	Frame 6' side discharge; C50-SD6	1
3	010-6987	Belt shield 4' frame w/tab; C50-RD4 Ver. G & below	2
	010-6989	Belt shield 4' frame w/o tab; C50-RD4 Ver. H & above	2
	020-6987	Belt shield 5' frame w/tab; C50-RD5 Ver. G & below	2
	020-6989	Belt shield 5' frame w/o tab; C50-RD5 Ver. H & above	2
	030-6975	Belt shield 6' frame w/tab; C50-RD6 Ver. G & below	2
	030-6989	Belt shield 6' frame w/o tab; C50-RD6 Ver. H & above	2
	040-6975	Belt shield 7' frame w/tab; C50-RD7 Ver. G & below	2
	040-6989	Belt shield 7' frame w/o tab; C50-RD7 Ver. H & above	2
4	000-6904	Central plate 4' frame; C50-RD4	1
	000-6875	Central plate 5' frame; C50-RD5	1
	000-6913	Central plate 6' frame; C50-RD6	1
	000-6814	Central plate 7' frame; C50-RD7	1
5	000-6647	Cap	3
6	000-6781	Deflector 4' frame; C50-SD4	1
	000-6521	Deflector 5' frame; C50-SD5	1
	000-6831	Deflector 6' frame; C50-SD6	1
7	002-0411	Rear protection 5' frame, outer; C50-RD5	2
	002-0412	Rear protection 6' frame, outer; C50-RD6	2
	002-0413	Rear protection 7' frame, outer; C50-RD7	2
8	002-0415	Rear protection, inner	2
9	000-6943	Bolt HH M10-1.50x120 C8.8 Z F; Ver. H & above	2
10	001-4106	Nut ES M10-1.50 Z TK	6
11	003-0157	Washer fender Ø10 Z	-
12	001-5237	Nut ES M10-1.50 Z TN	2
13	000-2034	Washer flat Ø10 W	-
14	003-3176	Bolt HH M10-1.50x25 C8.8 Z F	-
15	003-0156	Nut PT M10-1.50 C6 Z TK	-
16	000-1280	Washer lock Ø10 Z	3
17	000-1279	Nut HH M10-1.50 C6 Z TK	3
18	000-6349	Bolt HH M10-1.50x20 C8.8 Z F	-
19	004-4156	Cotter pin Ø4x25	-
20	000-6764	Chain link	-
21	010-6762	Chain rod 4' frame; C50-RD4	1
	020-6762	Chain rod 5' frame; C50-RD5	1
	030-6762	Chain rod 6' frame; C50-RD6	1
	040-6762	Chain rod 7' frame; C50-RD7	1
22	000-6541	Support plate, gearbox	1
23	007-4183	Bolt CS M12-1.75x40 C10.9 Z F	4
24	003-0064	Nut PT M12-1.75 C6 Z TK	4
25	000-1106	Nut HH M12-1.75 C6 Z MD	2
26	000-6547	Bolt HH M12-1.75x100 C8.8 Z F	1
27	005-1570	Cap	-

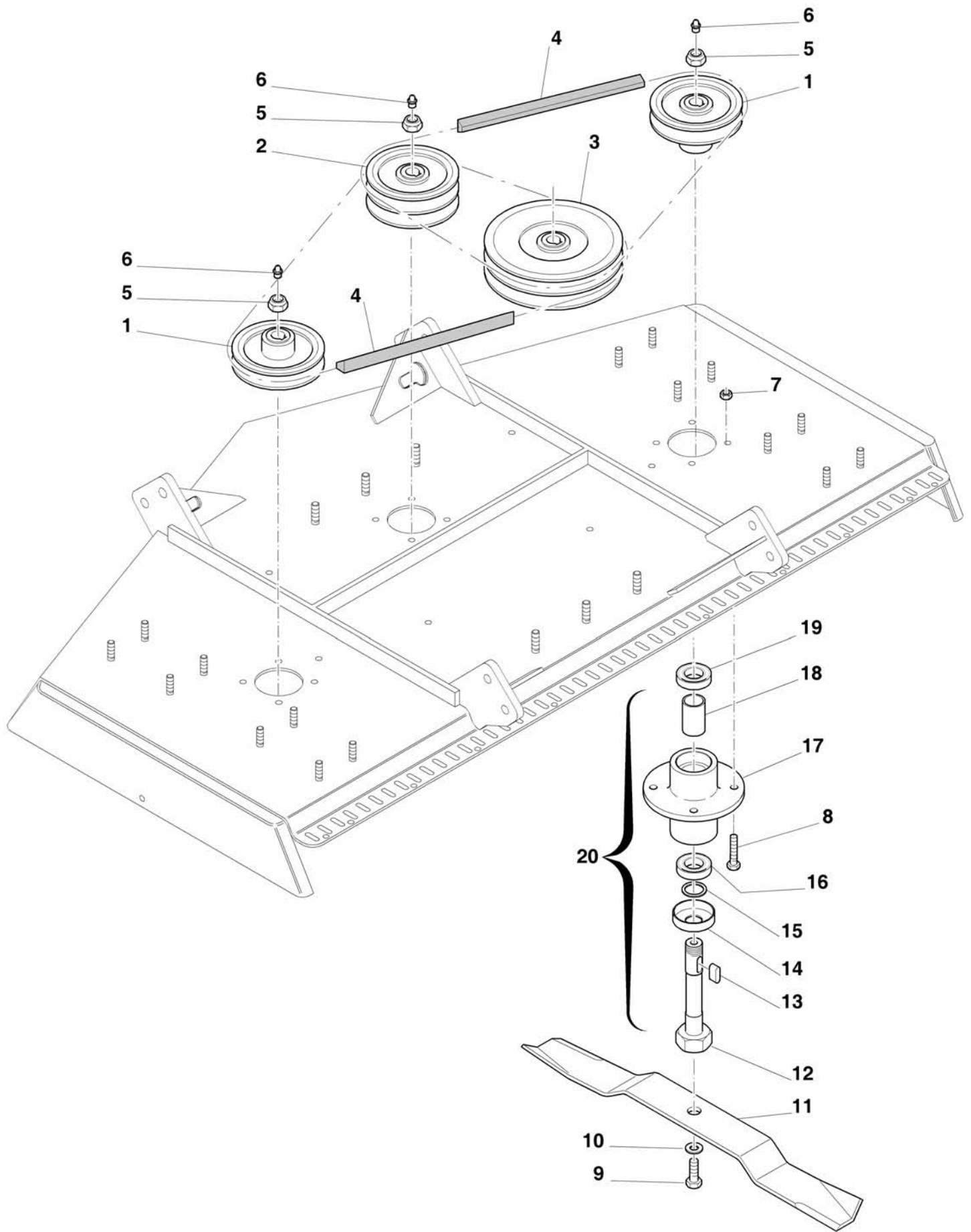


Ref.	Part #	Description	Qty.
1	000-6822	Support, top hitch; C50-RD4, C50-RD5, C50-RD6	2
	000-6823	Support, top hitch 7' frame; C50-RD7	2
2	010-6570	Arm, top hitch 4' frame; C50-RD4	2
	020-6570	Arm, top hitch 5' frame; C50-RD5	2
	030-6570	Arm, top hitch 6' frame; C50-RD6	2
	000-6821	Arm, top hitch 7' frame; C50-RD7	2
3	008-5057	Spacer; before 12-1998	1
	000-6829	Spacer; since 01-1999	1
4	000-6828	Plate, top hitch	1
5	000-6891	Bolt HH M16-2.00x140 C8.8 Z P	1
6	000-5581	Nut PT M16-2.00 C6 Z TK	-
7	000-6578	Bolt HH M16-2.00x45 C8.8 Z F	4
8	000-2365	Bolt HH M16-2.00x50 C8.8 Z P	4
9	003-3218	Bolt HH M16-2.00x55 C8.8 Z P	-
10	000-6573	Plate, lower hitch; C50-RD4, C50-RD5, C50-RD6	2
11	001-8266	Lynch pin Ø11x45	2
12	000-6826	Arm, lower hitch 7' frame; C50-RD7	4
13	000-6827	Spacer; C50-RD7	4
14	003-8346	Pin, hitch; C50-RD7	2
15	009-1507	Hairpin cotter Ø4 Z; C50-RD7	2
16	000-6540	Linking plate, lower hitch; C50-RD4, C50-RD5, C50-RD6	2
17	000-6854	Linking plate, lower hitch, 7' frame; C50-RD7	2
18	000-6946	Wheel yoke	4
19	000-6610	Lynch pin Ø6x46; before 06-1999	4
	000-8783	Pin SP, wheel yoke; since 07-1999	4
20	000-6584	Inner wheel spacer	4
21	000-6585	Outer wheel spacer, hard tire	8
	000-6972	Outer wheel spacer, 11" air tire; Ver. N (#272148) & above	8
22	000-6923Y	Wheel hard tire, complete	4
	503-723B	Bearing 6204-Z, hard tire (not shown)	8
	000-6967	Wheel 11" air tire, complete; Ver. M (#272147) & below ¹	4
	000-6969A	Steel retainer, air tire; Ver. M (#272147) & below (not shown)	8
	000-6968	Bearing needle, air tire; Ver. M (#272147) & below (not shown)	8
	000-6964	Wheel 11" air tire, complete; Ver. N (#272148) & above	4
	005-0142	Bearing 6204-2RS, air tire; Ver. N (#272148) & above (not shown)	8
	000-6962	Dust cover, air tire; Ver. N (#272148) & above (not shown)	8
23	000-6619	Bolt HH M14-2.00x150 C8.8 Z P	4
24	003-0358	Nut PT M14-2.00 C6 Z TK	4
25	010-6939	Wheel arm w/center hole 4' frame; C50-RD4 Ver. G & below	2
	010-6941	Wheel arm w/o center hole 4' frame; C50-RD4 Ver. H & above	2
	020-6939	Wheel arm w/center hole 5' frame; C50-RD5 Ver. G & below	2
	020-6941	Wheel arm w/o center hole 5' frame; C50-RD5 Ver. H & above	2
	030-6932	Wheel arm w/center hole 6' frame; C50-RD6 Ver. G & below	2
	030-6941	Wheel arm w/o center hole 6' frame; C50-RD6 Ver. H & above	2
	040-6932	Wheel arm w/center hole 7' frame; C50-RD7 Ver. G & below	2
	040-6941	Wheel arm w/o center hole 7' frame; C50-RD7 Ver. H & above	2

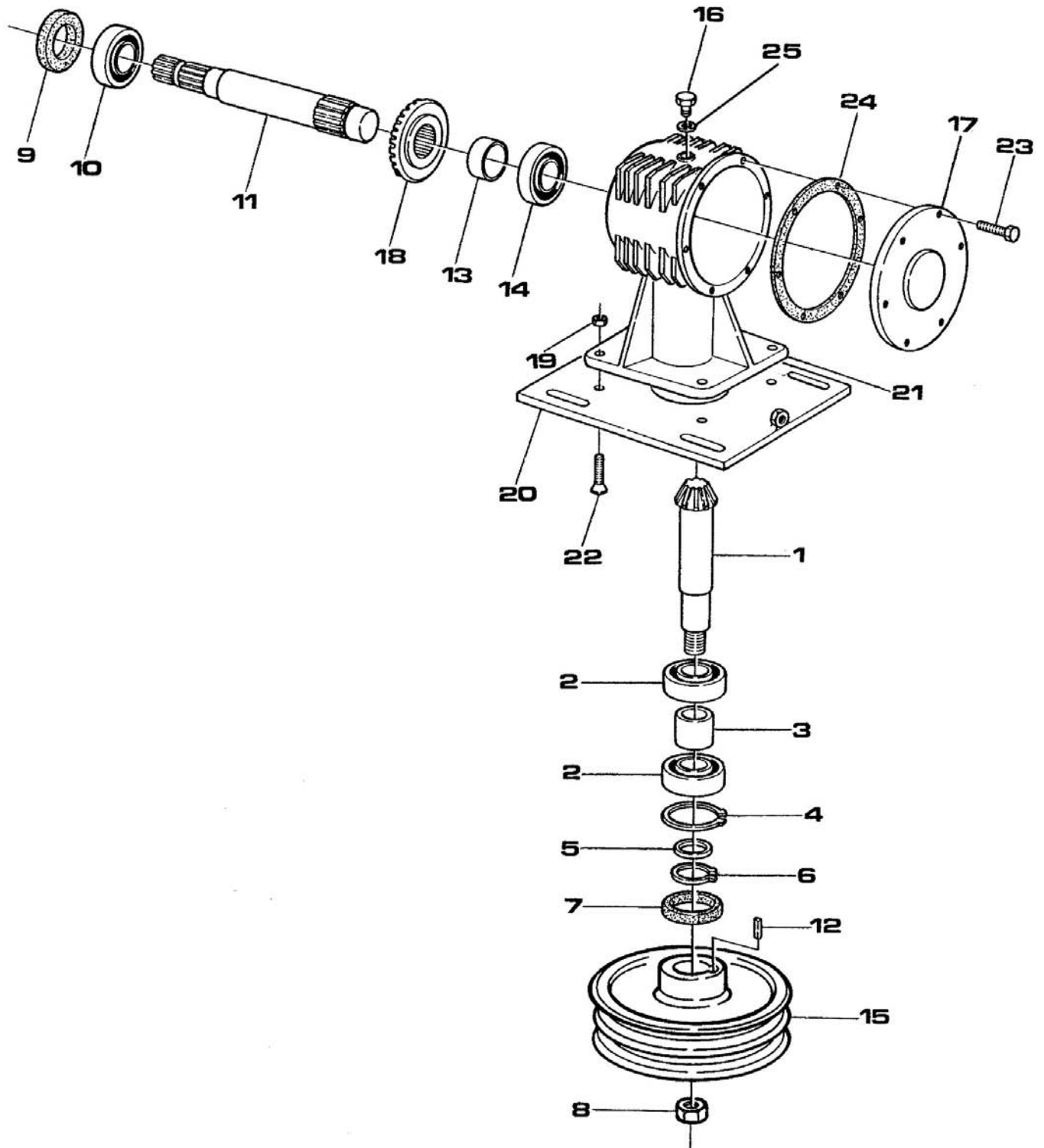
¹ Wheel no longer available, part #000-6964 should be ordered instead. Serial #272147 and below must also order two (2) outer wheel spacers (#000-6972) when replacing wheel.



Ref.	Part #	Description	Qty.
26	000-1065	Grease fitting M10-1.00	4
27	000-6586	Spacer, height adjustment 1"	12
28	000-6587	Spacer, height adjustment ½"	4
29	000-6589	Spacer, height adjustment ¼"	8
30	003-0157	Washer fender Ø10 Z	16
31	003-0156	Nut PT M10-1.50 C6 Z TK	16

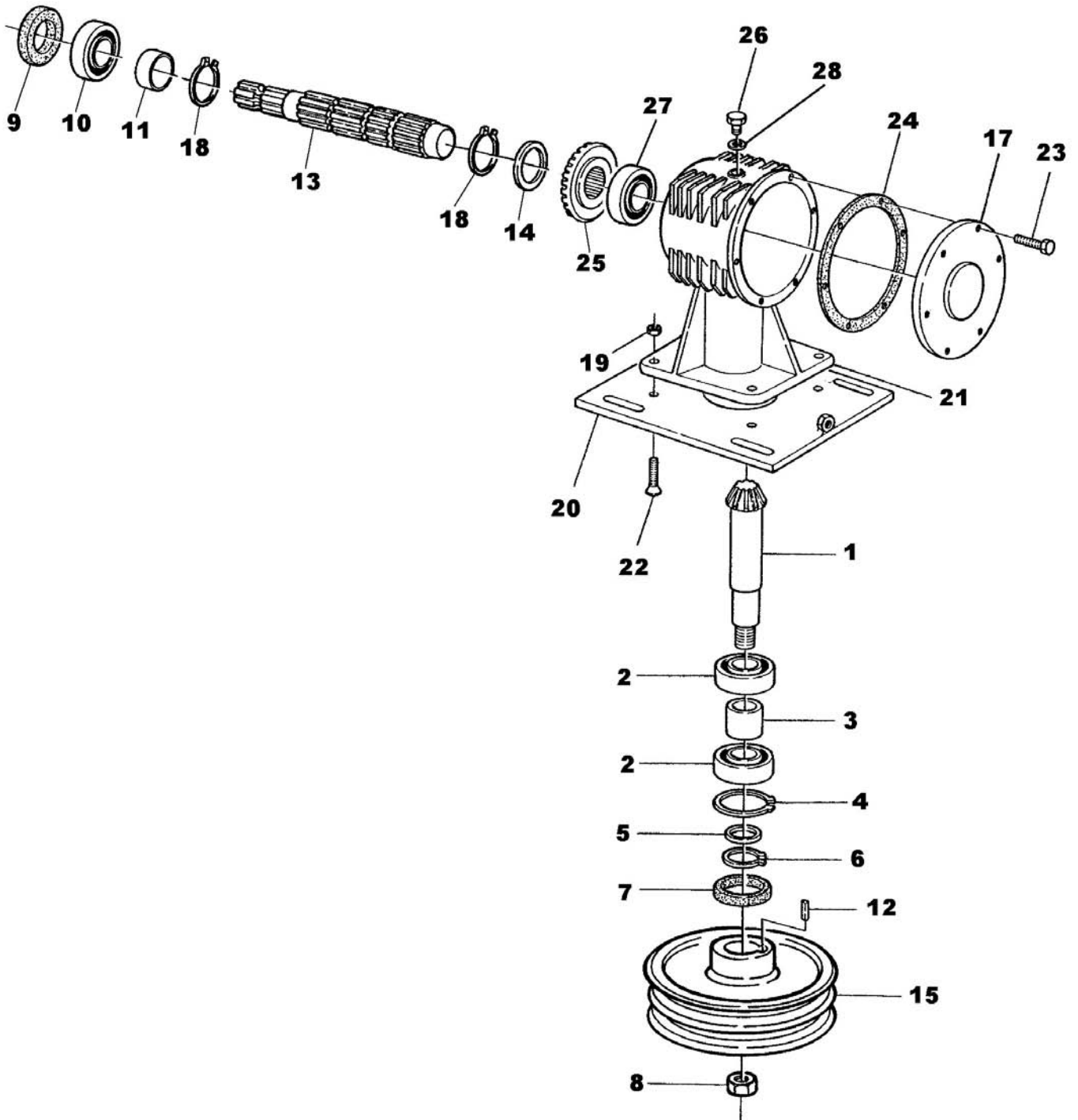


Ref.	Part #	Description	Qty.
1	000-6792	Pulley SPB 120x1, 4' frame; C50-RD4	2
	000-6622	Pulley SPB 130x1, 5' frame; C50-RD5	2
	000-6842	Pulley SPB 160x1, 6' frame; C50-RD6	2
	000-6862	Pulley SPB 190x1, 7' frame; C50-RD7	2
2	000-6791	Pulley SPB 120x2, 4' frame; C50-RD4	1
	000-6621	Pulley SPB 130x2, 5' frame; C50-RD5	1
	000-6841	Pulley SPB 160x2, 6' frame; C50-RD6	1
	000-6861	Pulley SPB 190x2, 7' frame; C50-RD7	1
3	000-6692	Pulley SPB 250x2	1
4	000-6798	Belt 5VX630, 4' frame; C50-RD4	2
	000-6693	Belt 5VX710, 5' frame; C50-RD5	2
	000-6848	Belt 5VX850, 6' frame; C50-RD6	2
	000-6694	Belt 5VX1000, 7' frame; C50-RD7	2
5	000-6698	Nut SP M25-1.50 Z	3
6	002-9036	Grease fitting Ø8	3
7	003-0156	Nut PT M10-1.50 C6 Z TK	12
8	000-1278	Bolt HH M10-1.50x30 C8.8 Z F	12
9	000-6659	Bolt blade SP M14-1.50x32	3
10	000-8560	Washer conical spring Ø18 Z	3
11	000-6795	Blade standard, 4' frame; C50-RD4	3
	000-6641	Blade standard, 5' frame; C50-RD5	3
	000-6845	Blade standard, 6' frame; C50-RD6	3
	000-6690	Blade standard, 7' frame; C50-RD7	3
	000-6795M	Blade mulching, 4' frame; C50-RD4 (option)	3
	000-6641M	Blade mulching, 5' frame; C50-RD5 (option)	3
	000-6845M	Blade mulching, 6' frame; C50-RD6 (option)	3
	000-6690M	Blade mulching, 7' frame; C50-RD7 (option)	3
	000-6795B	Blade high lift, 4' frame; C50-RD4 (option)	3
	000-6641B	Blade high lift, 5' frame; C50-RD5 (option)	3
	000-6845B	Blade high lift, 6' frame; C50-RD6 (option)	3
	000-6690B	Blade high lift, 7' frame; C50-RD7 (option)	3
	000-6795F	Blade low lift, 4' frame; C50-RD4 (option)	3
	000-6641F	Blade low lift, 5' frame; C50-RD5 (option)	3
	000-6845F	Blade low lift, 6' frame; C50-RD6 (option)	3
	000-6690F	Blade low lift, 7' frame; C50-RD7 (option)	3
	000-6795G	Blade gator, 4' frame; C50-RD4 (option)	3
	000-6641G	Blade gator, 5' frame; C50-RD5 (option)	3
	000-6845G	Blade gator, 6' frame; C50-RD6 (option)	3
	000-6690G	Blade gator, 7' frame; C50-RD7 (option)	3
12	000-6649	Spindle shaft	3
13	000-6639	Key 8x7x25	3
14	000-6636	Cover	3
15	000-6606	Shim Ø25x35x2	3
16	000-6626A	Bearing 6205-ZZ	3
17	000-6648	Spindle	3
18	000-6640	Spacer, spindle	3
19	000-6634A	Bearing 6205-Z	3
20	000-6629C	Spindle assembly, complete	-



Ref.	Part #	Description	Qty.
1	000-6676	Pinion gear Z11, straight gears; C50-RD4 & RD5 Ver. F & below; C50-RD6 & RD7 Ver. D & below	1
	000-6676A	Pinion gear Z11, straight gears; C50-RD4 & RD5 Ver. G only; C50-RD6 & RD7 Ver. E only	1
	005-8478	Pinion gear, helical gears; Ver. H only	1
	005-8479	Pinion gear, helical gears; Ver. I & above	1
2	001-2149A	Bearing 6208	2
3	000-6687	Spacer	1
4	000-1154	Snap ring, inner Ø80	1
5	000-6685	Shim Ø40x50x2.5	1
6	000-8138	Snap ring, outer Ø40	1
7	000-6684	Oil seal 40.80.10	1
8	000-6698	Nut SP M25-1.50 Z	1
9	000-2295	Oil seal 35.62.10	1
10	002-5332A	Bearing 6207	1
11	000-6657	Input shaft; Ver. G & below	1
	005-8465	Input shaft; Ver. H only	1
	005-8464	Input shaft; Ver. I & above	1
12	000-6689	Key 8x7x30	1
13	000-6667	Rear spacer; C50-RD4 & RD5 Ver. E & below; C50-RD6 & RD7 Ver. C & below	1
	000-6661	Rear spacer; C50-RD4 & RD5 Ver. F & above; C50-RD6 & RD7 Ver. D & above	1
14	000-2292	Bearing 6305; C50-RD4 & RD5 Ver. E & below; C50-RD6 & RD7 Ver. C & below	1
	004-4217	Bearing 30305; C50-RD4 & RD5 Ver. F & G; C50-RD6 & RD7 Ver. D & E	1
	005-8472A	Bearing 30206; Ver. H & above	1
15	000-6692	Pulley SPB 250x2	1
16	000-1107A	Breather cap	1
17	000-6656	Cover, gearbox housing	1
18	000-6677	Ring gear Z34, straight gears; C50-RD4 & RD5 Ver. F & below; C50-RD6 & RD7 Ver. D & below	1
	000-6677A	Ring gear Z34, straight gears; C50-RD4 & RD5 Ver. G only; C50-RD6 & RD7 Ver. E only	1
	005-8470	Ring gear, helical gears; Ver. H only	1
	005-8477	Ring gear, helical gears; Ver I & above	1
19	003-0064	Nut PT M12-1.75 C6 Z TK	4
20	000-6541	Support plate, gearbox	1
21	000-6658	Housing, gearbox	1
22	007-4183	Bolt CS M12-1.75x40 C10.9 Z F	4
23	000-6349	Bolt HH M10-1.50x20 C8.8 Z F	6
24	003-0193	Gasket 2/10	-
	013-0193	Gasket 5/10	-
25	000-6691	Gasket, aluminum	1
	050-0642	Gearbox 540 rpm, complete ²	-

² Fill using approx. 44 fl.oz. (1.4 qt.) of SAE 90W gear oil.



C50-RD4, SD4; C50-RD5, SD5; C50-RD6, SD6; C50-RD7

Ref.	Part #	Description	Qty.
1	000-6912	Pinion gear, 1000 rpm	1
2	001-2149A	Bearing 6208	2
3	000-6687	Spacer	1
4	000-1154	Snap ring, inner Ø80	1
5	000-6685	Shim Ø40x50x2.5	1
6	000-8138	Snap ring, outer Ø40	1
7	000-6684	Oil seal 40.80.10	1
8	000-6698	Nut SP M25-1.50 Z	1
9	000-2295	Oil seal 35.62.10	1
10	002-5332A	Bearing 6207	1
11	000-6853	Spacer, 1000 rpm	1
12	000-6689	Key 8x7x30	1
13	000-5556	Input shaft	1
14	004-4223	Shim Ø35x45x2	1
15	000-6770	Pulley SPB 140x2 1000 rpm; until 12/1997 ³	1
	000-6692	Pulley SPB 250x2 540 & 1000 rpm; since 01/1998	1
17	000-6656	Gear cover	1
18	004-2122	Snap ring, outer Ø35	2
19	003-0064	Nut PT M12-1.75 C6 Z TK	4
20	000-6541	Support plate, gearbox	1
21	000-6658	Housing, gearbox	1
22	007-4183	Bolt CS M12-1.75x40 C10.9 Z F	4
23	000-6349	Bolt HH M10-1.50x20 C8.8 Z F	6
24	003-0193	Gasket 2/10	-
	013-0193	Gasket 5/10	-
25	000-6911	Ring gear, 1000 rpm	1
26	000-1107A	Breather cap	1
27	004-4217	Bearing 30305	1
28	000-6691	Gasket, aluminum	1
	050-0624	Gearbox 1000 rpm, complete; until 12/1997 ⁴	-
	050-0572	Gearbox 1000 rpm, complete; since 01/1998 ⁵	-

³ Pulley 000-6770 no longer available, when used the following belts were mounted on 1000 rpm mower:

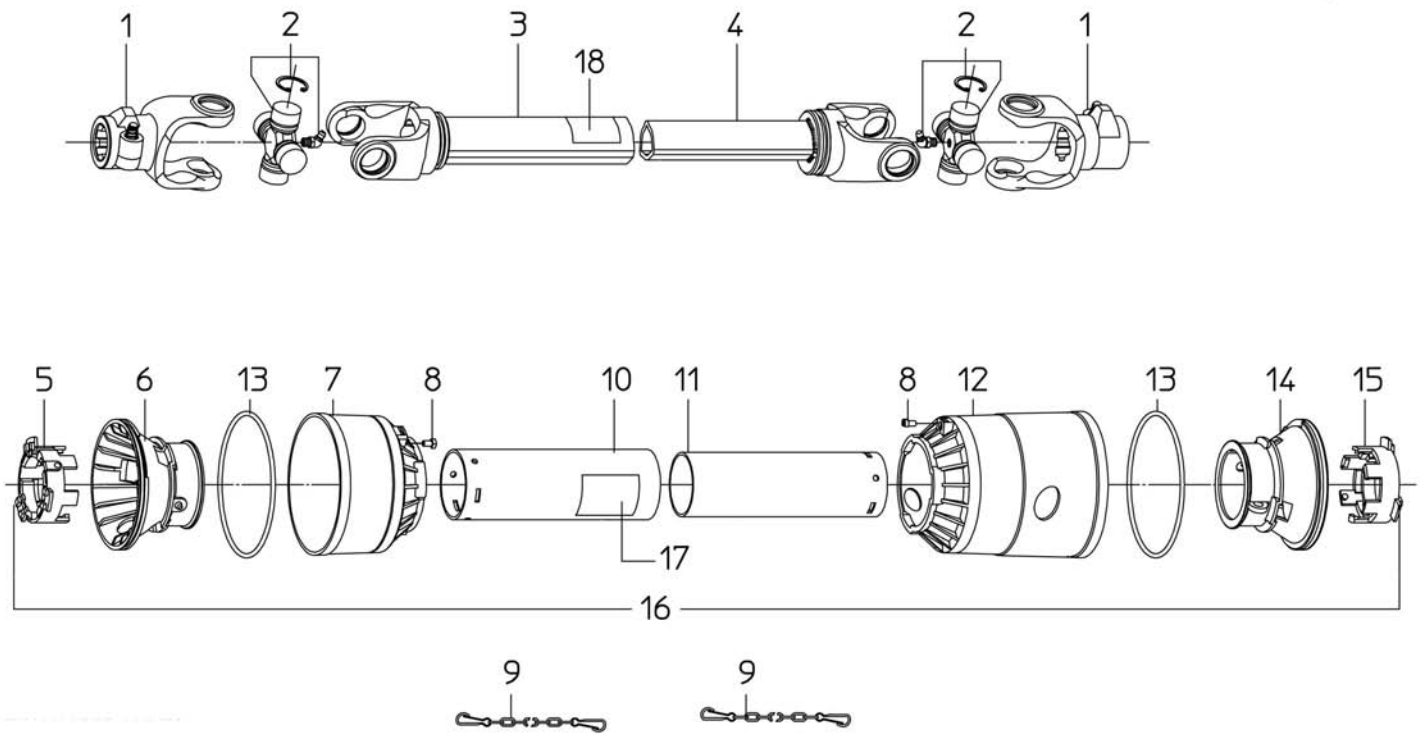
000-6697	Belt C50-RD4 1000 rpm only until 01/98	Qty. 2
000-6769	Belt C50-RD5 1000 rpm only until 01/98	Qty. 2
000-6843	Belt C50-RD6 1000 rpm only until 01/98	Qty. 2

Pulley 000-6692 can be used instead with the following belts:

000-6798	Belt 5VX630 C50-RD4 (540 & 1000 rpm)	Qty. 2
000-6693	Belt 5VX710 C50-RD5 (540 & 1000 rpm)	Qty. 2
000-6848	Belt 5VX850 C50-RD6 (540 & 1000 rpm)	Qty. 2
000-6694	Belt 5VX1000 C50-RD7 (540 & 1000 rpm)	Qty. 2

⁴ Gearbox 050-0624 no longer available. Gearbox 050-0572 should be used instead. Pulley and belts need to be replaced also (see footnote above).

⁵ Fill using approx. 44 fl.oz. (1.4 qt.) of SAE 90W gear oil.



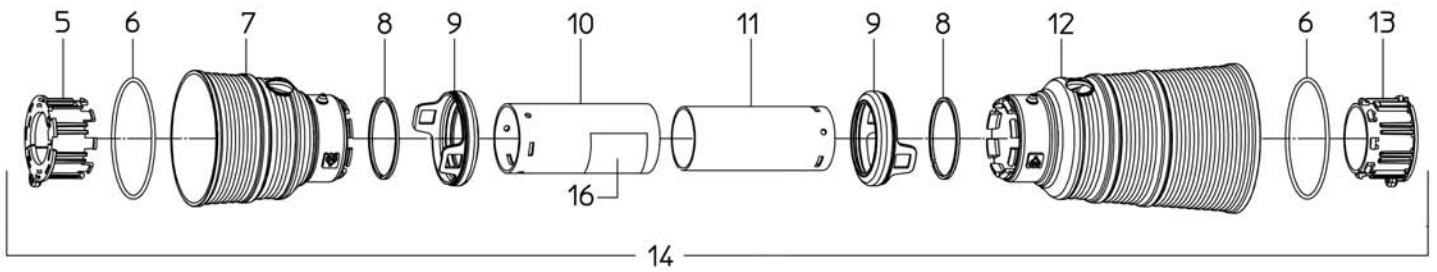
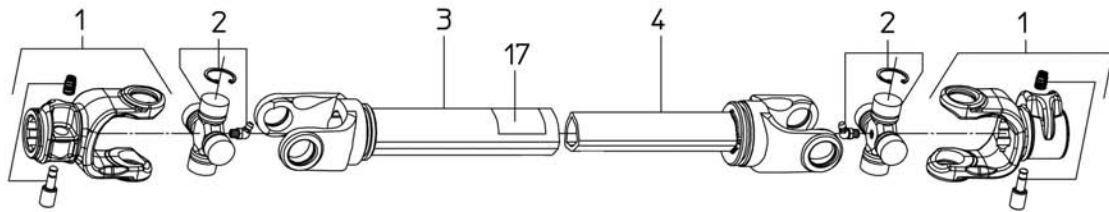
C50-RD4, SD4; C50-RD5, SD5; C50-RD6, SD6; C50-RD7; SERIAL #277830 & BELOW

Ref.	Part #	Description	Qty.
1	1023010C	PTO yoke	2
2	1003020C	Cross w/bearing	2
3	1943042NC	Outer tube w/yoke; C50-RD4	1
	1943055NC	Outer tube w/yoke; C50-RD5	1
	1943070NC	Outer tube w/yoke; C50-RD6, RD7	1
4	1953044NC	Inner tube w/yoke; C50-RD4	1
	1953057NC	Inner tube w/yoke; C50-RD5	1
	1953072NC	Inner tube w/yoke; C50-RD6, RD7	1
5	1784210C	Locking ring, outer tube; #277830 & below	1
6	1784201C	Rigid cone, outer tube; #277830 & below	1
7	1784203C	Standard cone (tractor end); #277830 & below	1
8	1784212C	Pin; #277830 & below	2
9	1006065C	Chain, anti-rotation	2
10	1773040C	Shield, outer tube; C50-RD4	1
	1773053C	Shield, outer tube; C50-RD5	1
	1773068C	Shield, outer tube; C50-RD6, RD7	1
11	1872040C	Shield, inner tube; C50-RD4	1
	1872053C	Shield, inner tube; C50-RD5	1
	1872068C	Shield, inner tube; C50-RD6, RD7	1
12	1784205C	Long cone (implement end); #277830 & below	1
13	1213233C	Stiffening ring; #277830 & below	2
14	1784202C	Rigid cone, inner tube; #277830 & below	1
15	1784211C	Locking ring, inner tube; #277830 & below	1
16	90SL4040C	Shield, complete; C50-RD4 ⁶	1
	90SL4053C	Shield, complete; C50-RD5 ⁷	1
	90SL4068C	Shield, complete; C50-RD6, RD7 ⁸	1
17	950-463B	Decal "DANGER - Rotating driveline, keep away" outer shield	1
18	950-464B	Decal "DANGER - Guard missing, do not operate" outer tube	1
	050-0413	Driveline, complete; C50-RD4	-
	050-0414	Driveline, complete; C50-RD5	-
	050-0415	Driveline, complete; C50-RD6, RD7	-

⁶ Complete shielding is interchangeable with part #96SL4040C.

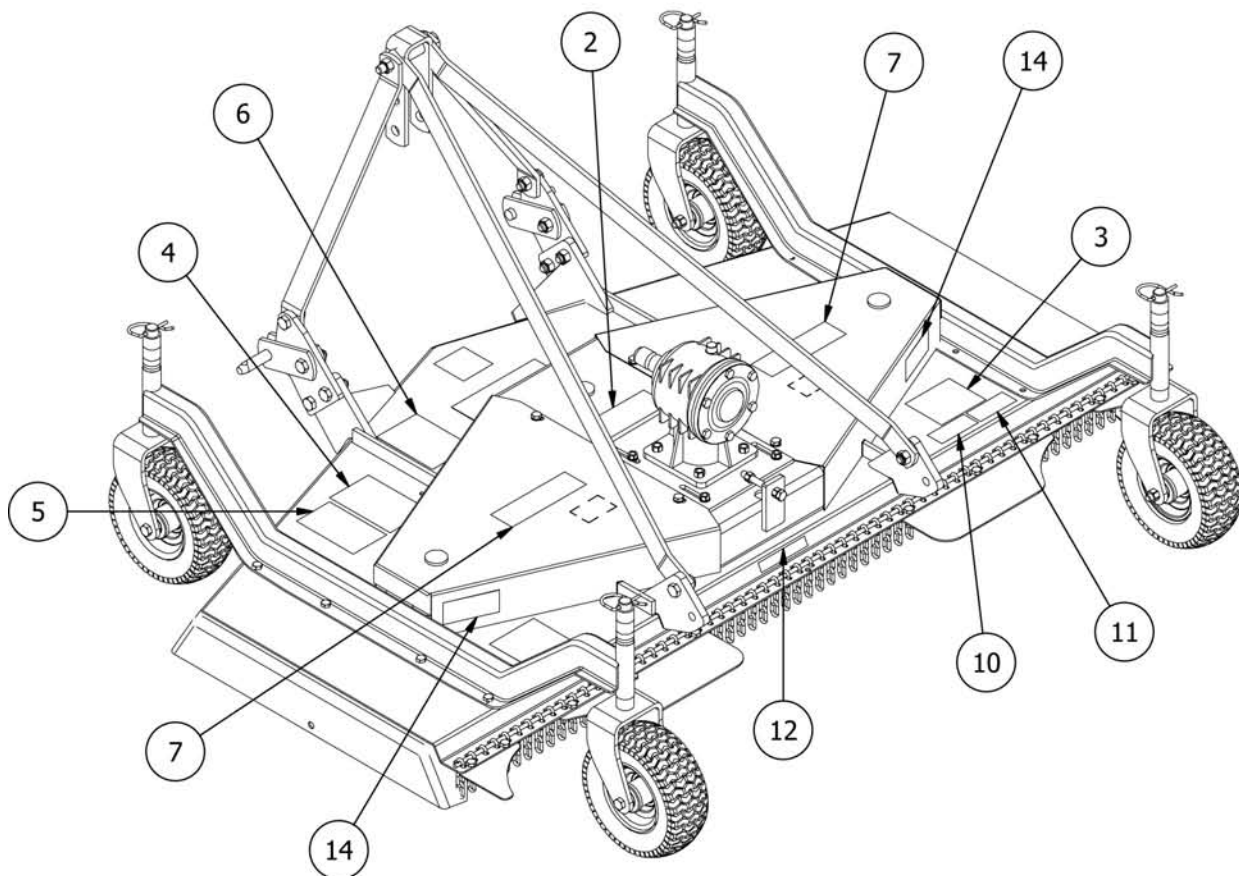
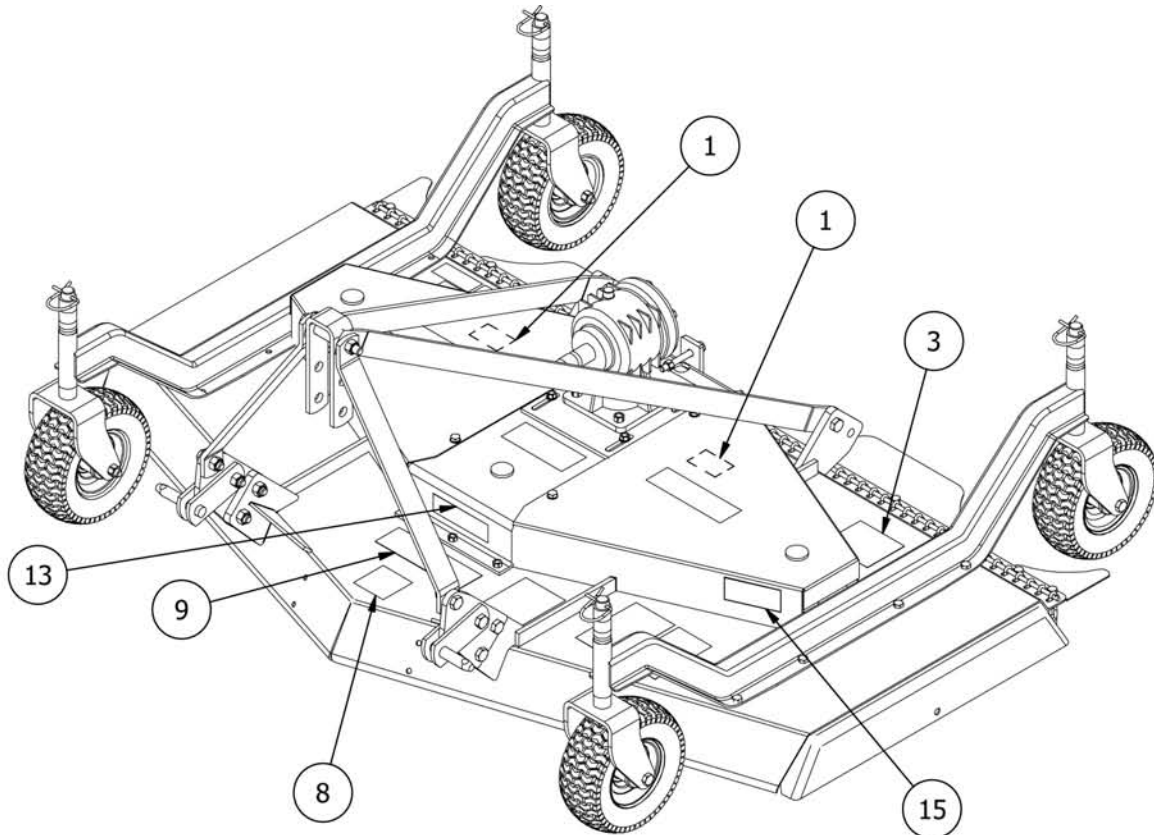
⁷ Complete shielding is interchangeable with part #96SL4053C.

⁸ Complete shielding is interchangeable with part #96SL4068C.



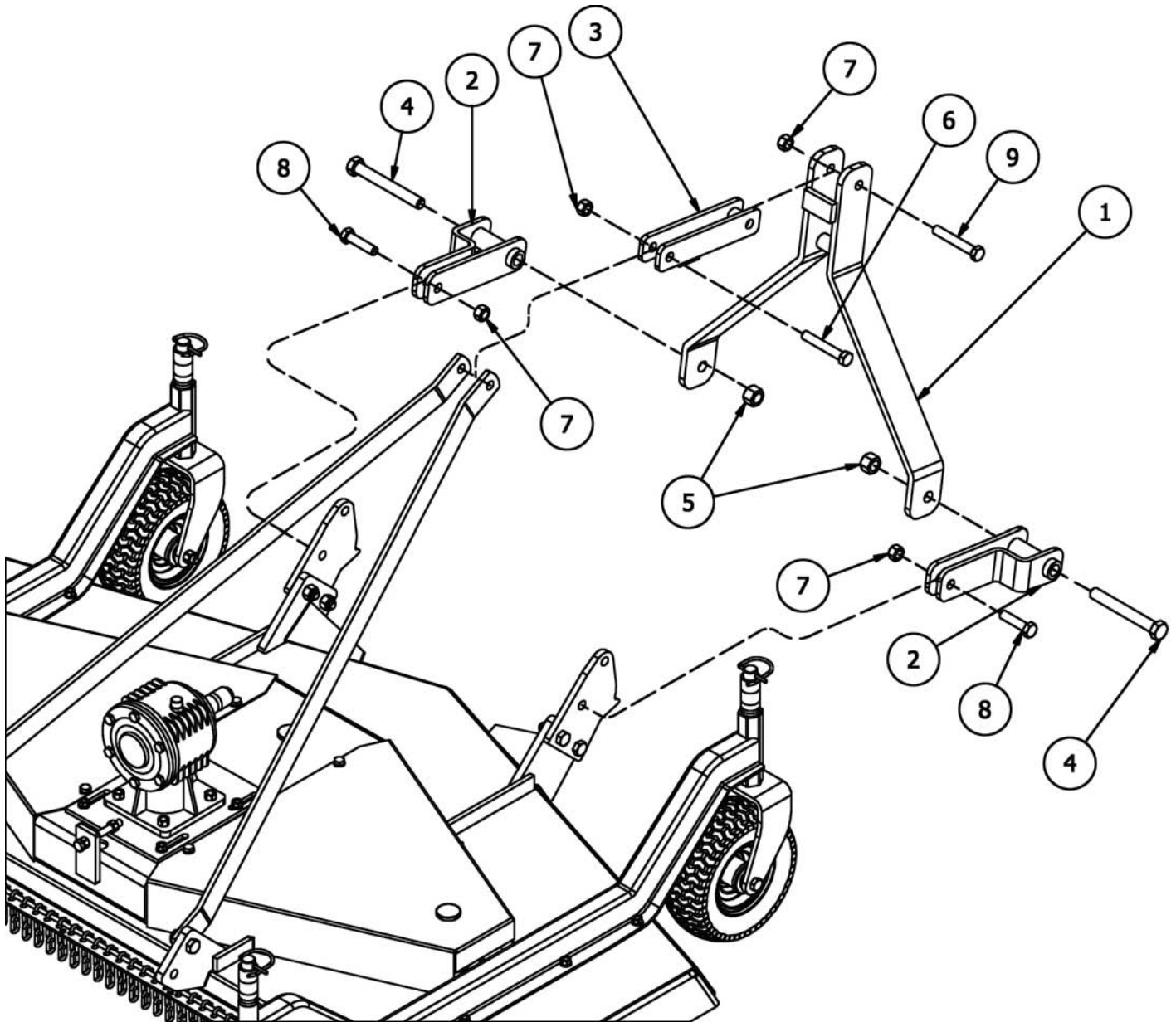
C50-RD4, C50-RD5, C50-RD6, C50-RD7, SERIAL #277831 & ABOVE

Ref.	Part #	Description	Qty.
1	1023010C	PTO yoke	2
2	1003020C	Cross w/bearing	2
3	1943042NC	Outer tube w/yoke; C50-RD4	1
	1943055NC	Outer tube w/yoke; C50-RD5	1
	1943070NC	Outer tube w/yoke; C50-RD6, RD7	1
4	1953044NC	Inner tube w/yoke; C50-RD4	1
	1953057NC	Inner tube w/yoke; C50-RD5	1
	1953072NC	Inner tube w/yoke; C50-RD6, RD7	1
5	1784710C	Locking ring, outer tube; #277831 & above	1
6	1211733C	Stiffening ring; #277831 & above	2
7	1781703C	Standard cone (tractor end); #277831 & above	1
8	1211735C	Safety ring; #277831 & above	2
9	1881709C	Safety sleeve; #277831 & above	2
10	1773040C	Shield, outer tube; C50-RD4	1
	1773053C	Shield, outer tube; C50-RD5	1
	1773068C	Shield, outer tube; C50-RD6, RD7	1
11	1872040C	Shield, inner tube; C50-RD4	1
	1872053C	Shield, inner tube; C50-RD5	1
	1872068C	Shield, inner tube; C50-RD6, RD7	1
12	1781704C	Long cone (implement end); #277831 & above	1
13	1784711C	Locking ring, inner tube; #277831 & above	1
14	96SL4040C	Shield, complete; C50-RD4	1
	96SL4053C	Shield, complete; C50-RD5	1
	96SL4068C	Shield, complete; C50-RD6, RD7	1
15	1006065C	Chain, anti-rotation	2
16	950-463B	Decal "DANGER - Rotating driveline, keep away" outer shield	1
17	950-464B	Decal "DANGER - Guard missing, do not operate" outer tube	1
	050-0413	Driveline, complete; C50-RD4	-
	050-0414	Driveline, complete; C50-RD5	-
	050-0415	Driveline, complete; C50-RD6, RD7	-

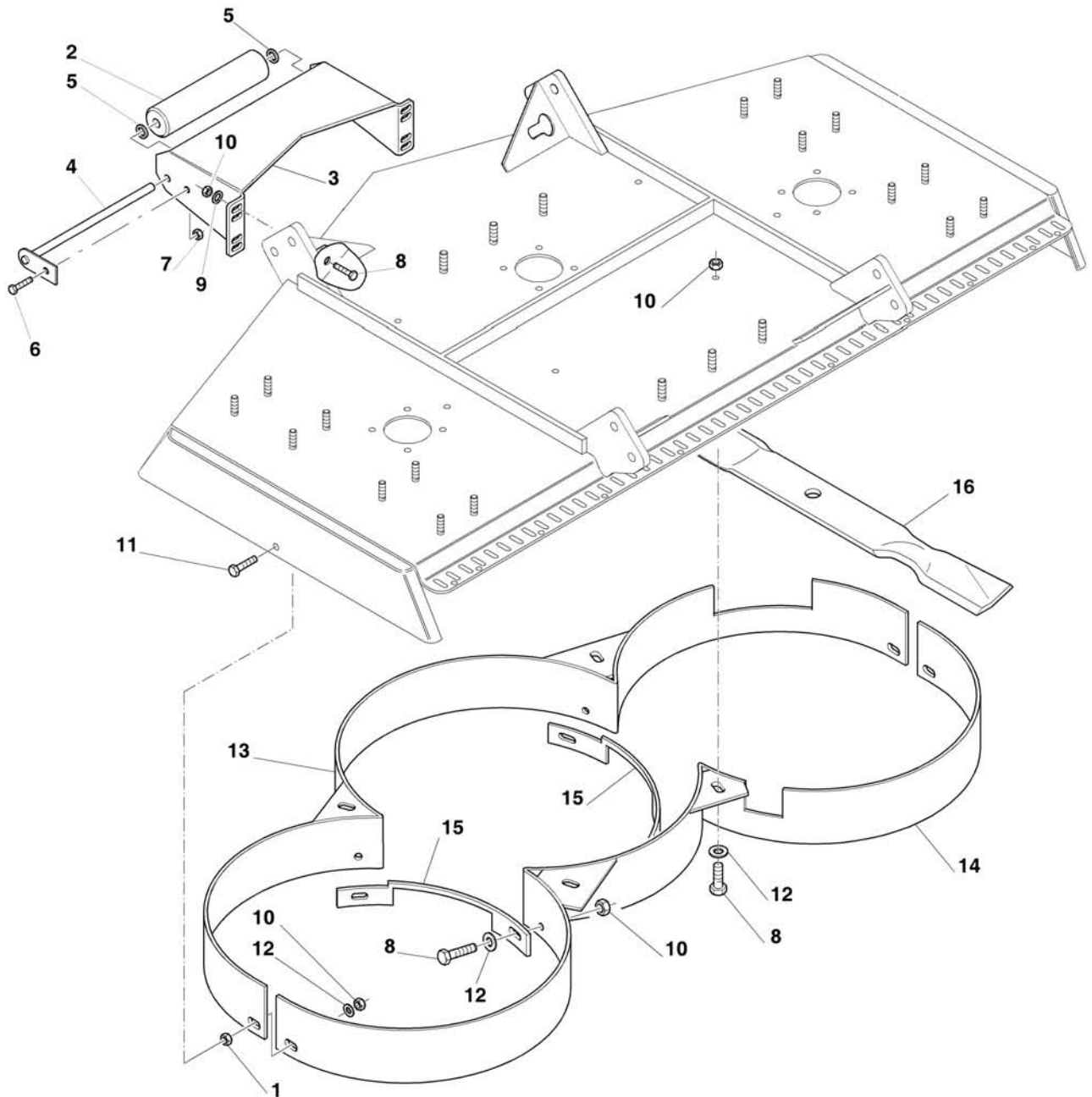
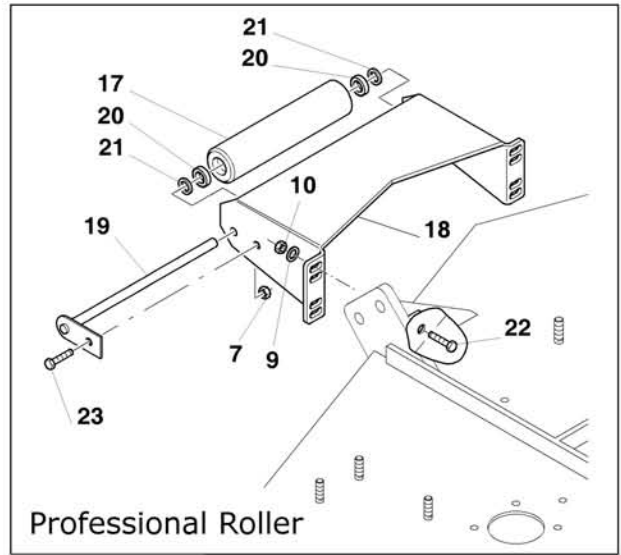


C50-RD4, SD4; C50-RD5, SD5; C50-RD6, SD6; C50-RD7

Ref.	Part #	Description	Qty.
1	950-213B	Decal "DANGER - Replace shields", placed under belt shields	2
2	950-109B	Decal "DANGER - Avoid injury from PTO"	1
3	950-818B	Decal "DANGER - Rotating blades; Thrown objects"	2
4	950-406B	Decal "WARNING - Falling off"	1
5	950-407B	Decal "WARNING - Crushing and pinching hazard"	1
6	950-111B	Decal "CAUTION - To avoid serious injury"	1
7	950-106B	Decal "BEFCO" SM; C50-RD4	2
	950-107B	Decal "BEFCO" MD; C50-RD5, C50-RD6, C50-RD7	2
8	950-226B	Decal "B" SM	1
9	950-298B	Decal "Cyclone"	1
10	950-235B	Decal "C50"	1
11	950-249B	Decal "RD4"	1
	950-250B	Decal "RD5"	1
	950-251B	Decal "RD6"	1
	950-252B	Decal "RD7"	1
	950-253B	Decal "SD4"	1
	950-254B	Decal "SD5"	1
	950-255B	Decal "SD6"	1
12	950-358B	Decal "Made in USA"	1
13	950-381B	Decal "BEFCO INC" address	1
14	950-366B	Decal, red reflective	2
15	950-405B	Decal, yellow reflective; C50-RD7	1
	971-174B	Operator's Manual "Cyclone C50"	1
	972-174B	Parts Manual "Cyclone C50"	1



Ref.	Part #	Description	Qty.
1	503-816B	A frame support	1
2	503-815B	Floating yoke	2
3	503-817B	Floating top link	1
4	503-300B	Bolt HH M20-2.50x160 C8.8 Z P	2
5	000-5507	Nut PT M20-2.50 C6 Z TK	2
6	000-6566	Bolt HH M16-2.00x100 C8.8 Z P	1
7	000-5581	Nut PT M16-2.00 C6 Z TK	4
8	000-9884	Bolt HH M16-2.00x65 C8.8 Z F	2
9	007-0346	Bolt HH M16-2.00x110 C8.8 Z P	1
	002-800	Quick hitch adapter, complete	1
	971-214B	Operator's & Parts Manual quick hitch adapter C50, C70	1



Ref.	Part #	Description	Qty.
1	000-3038	Nut HH M12-1.75 C6 Z TK	2
2	006-7358	Front roller Ø3"	1
3	000-9622	Support, front roller; Ver. L (#269679) & below	1
	006-7354	Support, front roller; Ver. M (#269680) & above	1
4	006-7363	Roller pin; Ver. L (#269679) & below	1
	006-7365	Roller pin; Ver. M (#269680) & above	1
5	000-8568	Washer flat Ø16 W	2
6	004-6454	Bolt HH M08-1.25x16 C8.8 Z F	1
7	001-1328	Nut PT M08-1.25 C6 Z TK	1
8	000-6349	Bolt HH M10-1.50x20 C8.8 Z F	-
9	000-2034	Washer flat Ø10 W	4
10	003-0156	Nut PT M10-1.50 C6 Z TK	-
11	009-1281	Bolt HH M10-1.50x35 C8.8 Z F	2
12	003-0157	Washer fender Ø10 Z	-
13	000-6782	Baffling, front 4' frame; C50-RD4	1
	000-6783	Baffling, front 5' frame; C50-RD5	1
	000-6784	Baffling, front 6' frame; C50-RD6	1
	000-6801	Baffling, front 7' frame; C50-RD7	1
14	000-6776	Baffling, rear 4' frame; C50-RD4	1
	000-6777	Baffling, rear 5' frame; C50-RD5	1
	000-6778	Baffling, rear 6' frame; C50-RD6	1
	000-6806	Baffling, rear 7' frame; C50-RD7	1
15	000-6780	Guard support 6' frame; C50-RD6	2
	000-6865	Guard support 7' frame; C50-RD7	2
16	000-6795M	Blade mulching, 4' frame; C50-RD4	3
	000-6641M	Blade mulching, 5' frame; C50-RD5	3
	000-6845M	Blade mulching, 6' frame; C50-RD6	3
	000-6690M	Blade mulching, 7' frame; C50-RD7	3
17	005-8507	Professional front roller	1
18	005-8500	Support, professional front roller	1
19	005-8504	Pin, professional roller	1
20	005-8508	Bearing 6202-2RS	2
21	005-8503	Shim Ø17x24x1.5	2
22	003-3176	Bolt HH M10-1.50x25 C8.8 Z F	4
23	001-5012	Bolt HH M08-1.25x20 C8.8 Z F	1
	009-9915	Front anti-scalp roller, complete	-
	009-9815	Professional front anti-scalp roller, complete	-
	004-700	Mulching kit 4' frame, complete	-
	005-700	Mulching kit 5' frame, complete	-
	006-700	Mulching kit 6' frame, complete	-
	007-700	Mulching kit 7' frame, complete	-

Use only original spare parts

All rights reserved. It is unlawful to copy, reprint or use any of the information or details in this manual without the expressed written permission of the Company. Technical information provided in this manual is approximate, the Company reserves the right to modify or improve the models shown for technical or commercial purposes. Pictures in this manual do not necessarily show the machine as delivered.

BEFCO[®]

P.O. Box 6036
Rocky Mount, NC 27802-6036
Tel.: 252.977.9920 - Fax: 252.977.9718
www.befco.com

